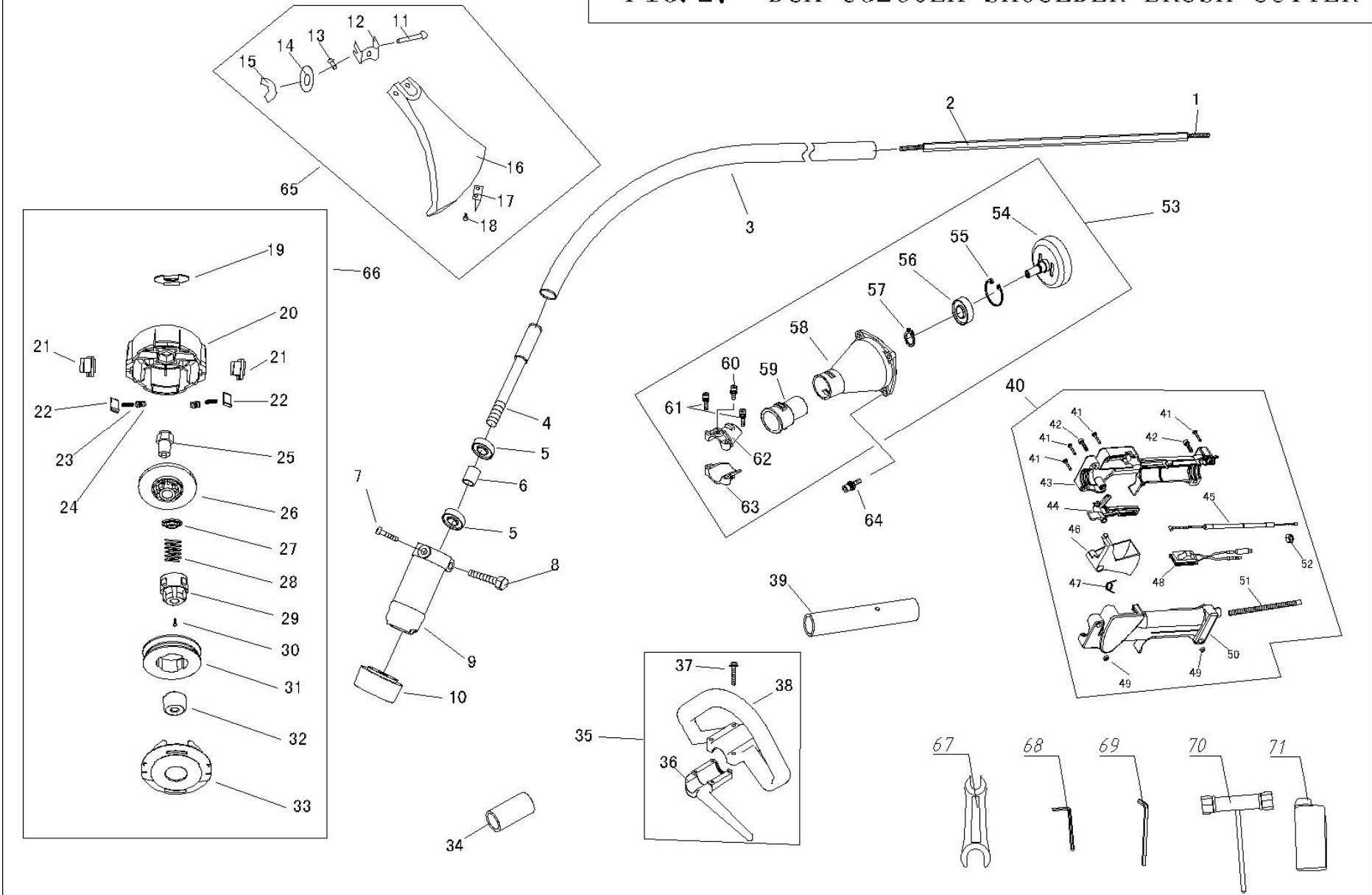


FIG. 2: DCH-CG260EH SHOULDER BRUSH CUTTER

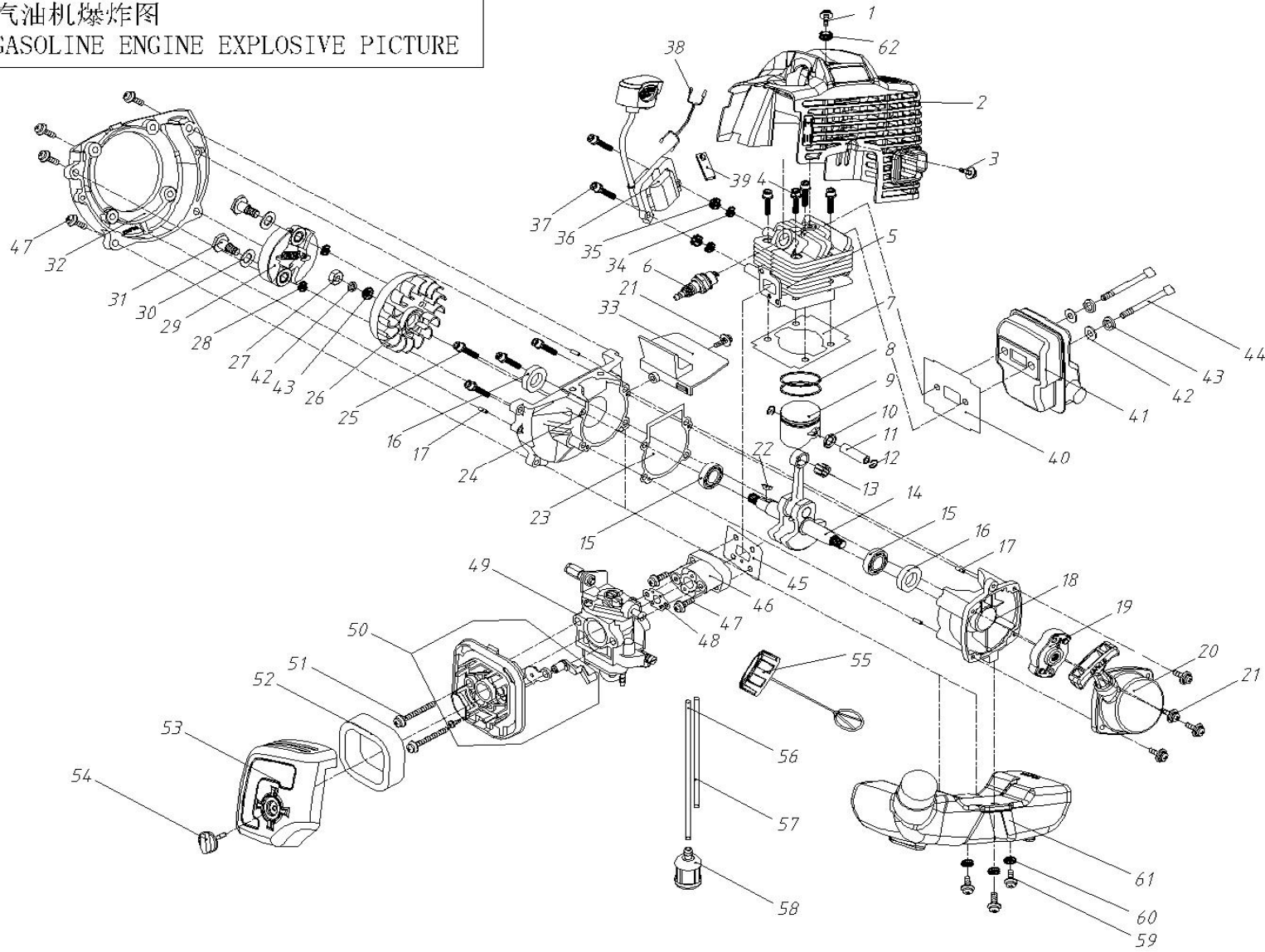


## Spare parts list for RPLT2642 transmission

Pos no	ERP	Part Name	QTY
1	02050080021	Flexible Shaft	1
2	02050080008	Bracket	1
3	02010010118	Pipe	1
4	02020160039	Screw	1
5	03090010076	Bearing 608-2Rs/P5	2
6	02040030002	Pipe	1
7	03020020053	Screw M5*12	1
8	03020030005	Screw M5*20	1
9	70070100002	Linkcr	1
10	02020100025	Holder	1
11	03010020021	Screw M6*60	1
12	02020160212	Holder	1
13	03010110098	Screw M5*10	1
14	03040010012	Washer 6	1
15	03030070005	Nut M6	1
16	70030030086	Safety Guard	1
17	02020070028	Blade	1
18	03020020027	Screw M5*16	2
19	02020160370	Washer	1
20	70030140018	Chest Comp	1
21	70010080002	Bush	2
22	70030180018	Spring Guard	2
23	02020110060	Spring	2
24	70030180135	Nesting	2
25	70070090020	Shaft	1
26	70030180136	Plate	1
27	70030180020	Spring Socket	1
28	02020110059	Spring	1
29	70030180022	Spring Socket	1
30	03020020055	Screw M4*12	1
31	70030140016	Wheel	1
32	70030180143	Hatch	1
33	70030140017	Rope	1
34	70030160006	Bush	1
35	61270090004	Handle Ass'Y	1
36	70030160031	Handle Cover	1
37	03010010048	Screw M5*35	4
38	70030160079	Handle	1
39	70030180120	Bush	1
40	61270040139	Lever Ass'Y	1
41	03010040072	Screw St4*19	4
42	03010060053	Screw St5*20	2
43	70030070249	Box, Righe	1

44	70030070600	Safety Lever	1
45	02050040126	Cable Comp	1
46	70030070599	Throeelt Lever	1
47	02020110045	Spring	1
48	02050050303	Stop Switch	1
49	03030060008	Nut M5	2
50	70030070256	Box, Left	1
51	61350020002	Pipe	1
52	03030010004	Nut M6	2
53	61270020149	Clutch Comp	1
54	02020050036	Clutch Drum Comp	1
55	03120020004	Stop Ring 35	1
56	03090010012	Bearing 6202-2Rs/P5	1
57	03120010005	Stop Ring 15	1
58	70070060032	Linker	1
59	02080020104	Rubber Cover	1
60	03010010056	Screw St5*14	1
61	03010010058	Screw St5*25	2
62	70070080038	Clamp A	1
63	70070080039	Clamp B	1
64	03010010060	Screw St6*20	4
65	61270070023	Safety Guard Ass'Y	1
66	61270130003	Nylon Cutter Head	1
67	03080020007	Open End Wrench8*10	1
68	03080010003	Hexagon Socket Screw K	1
69	03080010004	Hexagon Socket Screw K	1
70	03080030004	Socket Wrench	1
71	70080010003	Mixed Tank	1

1E34FGB 汽油机爆炸图  
1E34FGB GASOLINE ENGINE EXPLOSIVE PICTURE



## Spare parts list for 1E34FGB

Pos no	ERP	Parts name	QTY
1	03010110008	Screw M5x14	1
2	70030030975	Top Cover	1
3	03020020055	Gb/T9074.4 M4*12	1
4	03010010062	Screw Assy M5x20	4
5	70070130032	Cylinder	1
6	03130010013	Spark Plug Rcj6Y	1
7	02070010032	Gasket,Cylinder	1
8	02020020003	Ring,Piston	2
9	02010020005	Piston	1
10	02020150002	Stop Ring	2
11	02020010004	Pin,Piston	1
12	02020030017	Piston Pin Retainer	2
13	03090020018	Needle,Bearing	1
14	02020120023	Crank Shaft Comp	1
15	03090010028	Gb/T276 6001/P5	2
16	03100010009	Oil Seal 12*22*7	2
17	03060010002	Pin	4
18	70070050038	Rear Crankcase	1
19	02050100015	Start Pull	1
20	02050070090	Starter	1
21	03020020029	Gb/T9074.4 M4*16	5
22	03070010001	Key3X3.7X12	1
23	02070010119	Gasket,Crankcase	1
24	70070050039	Front Crankcase	1
25	03010010058	M5*25	4
26	02050030020	Magneto Rotor	1
27	03030020003	Gb6171 M8*1 白色	1
28	03040050052	Φ6*15*1.2	2
29	02050160002	Clutch Assy	1
30	03040050042	Washer	2
31	02020130001	Clutch Step Screw	2
32	70070030026	Fan Cover	1
33	70030030164	Guide Plant	1
34	03040020012	Gb/T97.1 4	2
35	02070010048	Space ,Housing	2
36	02050030229	Ignition ,Coil	1
37	03020020054	Gb/T9074.4 M4*20	2
38	02050050213	Stop Core Comp	1
39	02080030042	Rubber	1
40	02070010162	Gasket,Muffler	1
41	02050010015	Muffler	1
42	03050010008	Gb/T93 8镀白锌	1
43	03040020018	Gb/T97.1 8 镀白锌	1

44	03010010077	M5*55 (12.9级)	2
45	02070010019	Gasket,Cylinder Side	1
46	70030020016	Insulator	1
47	03020020012	Gb/T9074.4 M5*20	6
48	02070010071	Gasket,Carburetor	1
49	02050020059	Carburetor	1
50	70080120007	Air Cleaner Cover	1
51	03020020044	Gb/T9074.4 M5*55	2
52	02090010011	Air Element	1
53	70030040225	Cleaner Outside Cover	1
54	02110030079	Knob	1
55	02110020026	Fuel Tank Cap Assy	1
56	61330010017	Inlet Fule Pipe	1
57	61330010018	Outlet Fuel Pipe	1
58	02050120002	Cleaner	1
59	03020020027	Gb/T9074.4 M5*16	3
60	03040050022	Φ5*15*1 (非标)	3
61	70050030170	Fuel Tank	1
62	02070010217	Washer	1